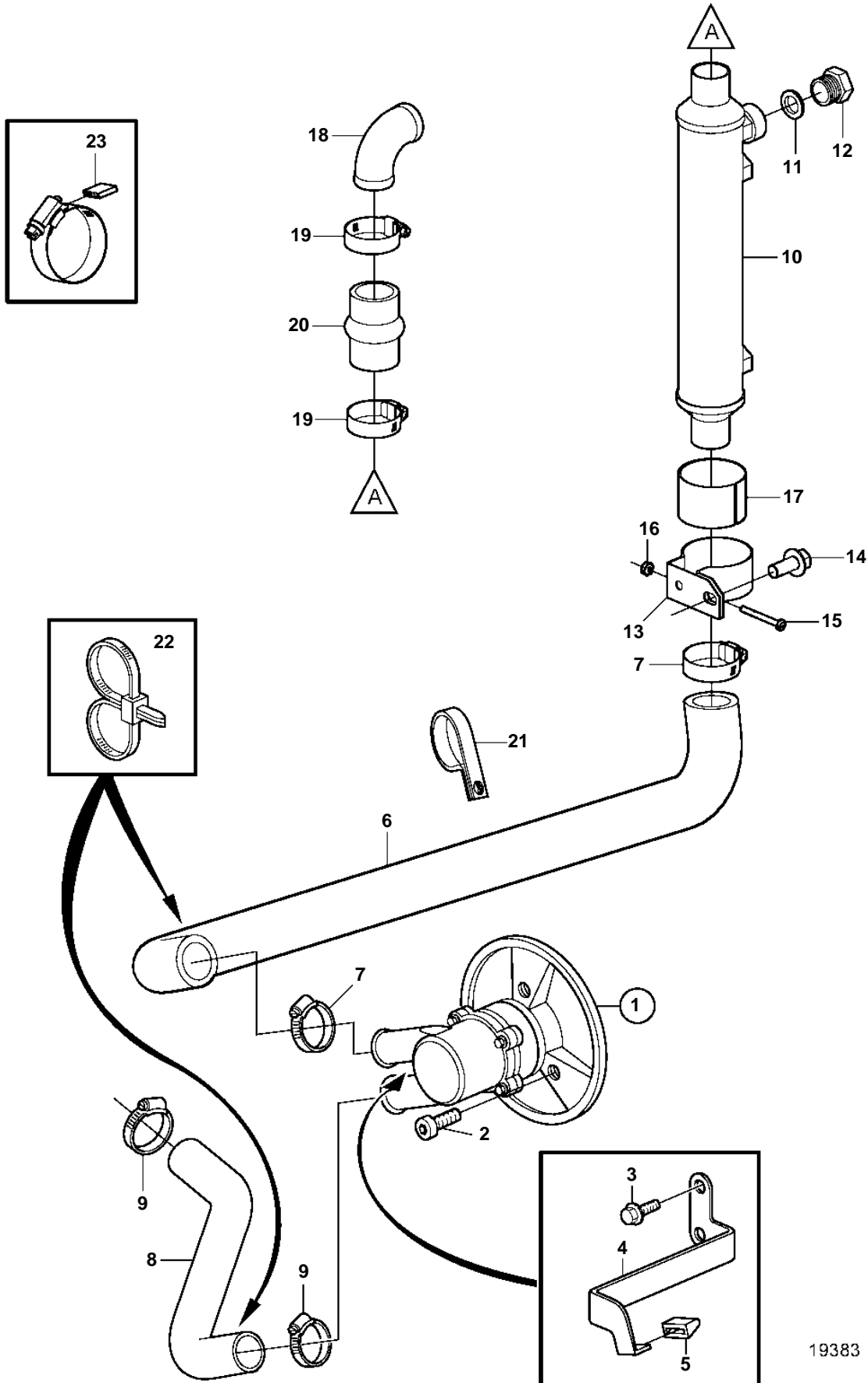


8.1GiI-C, 8.1GiI-D, 8.1GXii-B, 8.1GXii-C



8.1Giil-C, 8.1Giil-D, 8.1GXil-B, 8.1GXil-C

| REF | PART NO. | QTY | DESCRIPTION | NOTES |
|-----|----------|-----|----------------|-------------------|
| 1 | 3862484 | 1 | Sea water pump | |
| 2 | 959240 | 3 | Screw | |
| 3 | 946441 | 2 | Screw | |
| 4 | 3860797 | 1 | Bracket | |
| 5 | 3857954 | 1 | Stop | |
| 6 | 3861400 | 1 | Hose | |
| 7 | 3850422 | 3 | Clamp | |
| 8 | 3860910 | 1 | Hose | |
| 9 | 3853786 | 2 | Clamp | |
| 10 | 3861479 | 1 | Oil cooler | |
| 11 | 3862079 | 1 | · Gasket | |
| 12 | 3862656 | 1 | Cap | |
| 13 | | 1 | Clamp | |
| 14 | 3853154 | 1 | Screw | |
| 15 | 3852126 | 1 | Screw | |
| 16 | 3852079 | 1 | Nut | |
| 17 | 3853236 | 1 | Spacer | |
| 18 | | 1 | Elbow | |
| 19 | 3853786 | 2 | Clamp | |
| 20 | 3860021 | 1 | Hose | |
| 21 | 3853312 | 2 | Clamp | |
| 22 | 3850115 | 1 | Strip clamp | |
| 23 | 3858532 | X | Cover | W=0.465" (11.8mm) |
| | 3861999 | X | Cover | W=0.300" (7.6mm) |